

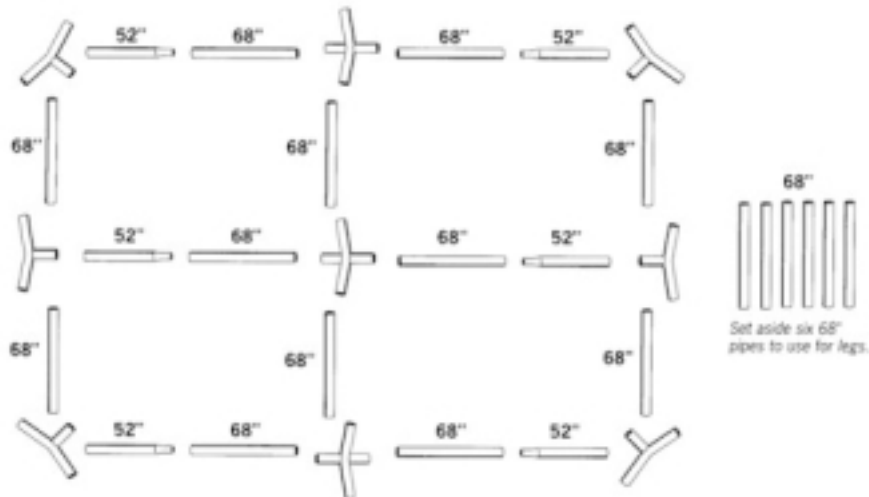
# 10' X 20' KING CANOPY

## PARTS:

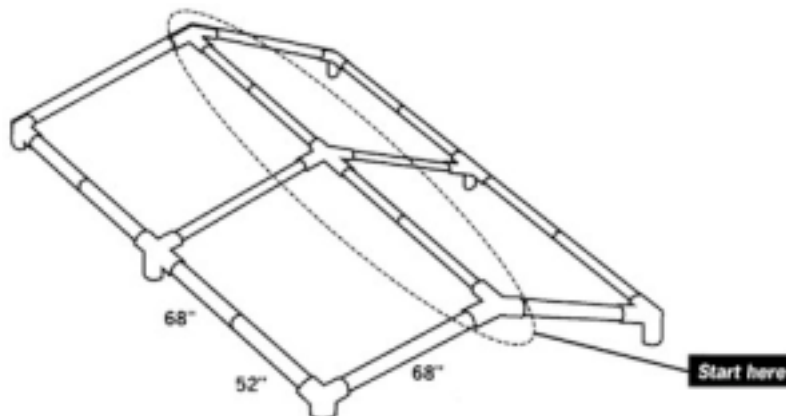
- 16 5'8" GALVANIZED PIPE
- 9 6'6" GALVANIZED PIPE
- 6 3 WAY CORNERS
- 6 4 WAY CORNERS
- 1 BUNDLE OF BUNGEE TIES
- 1 12' X 20' UV RATED TARP

## INSTRUCTIONS:

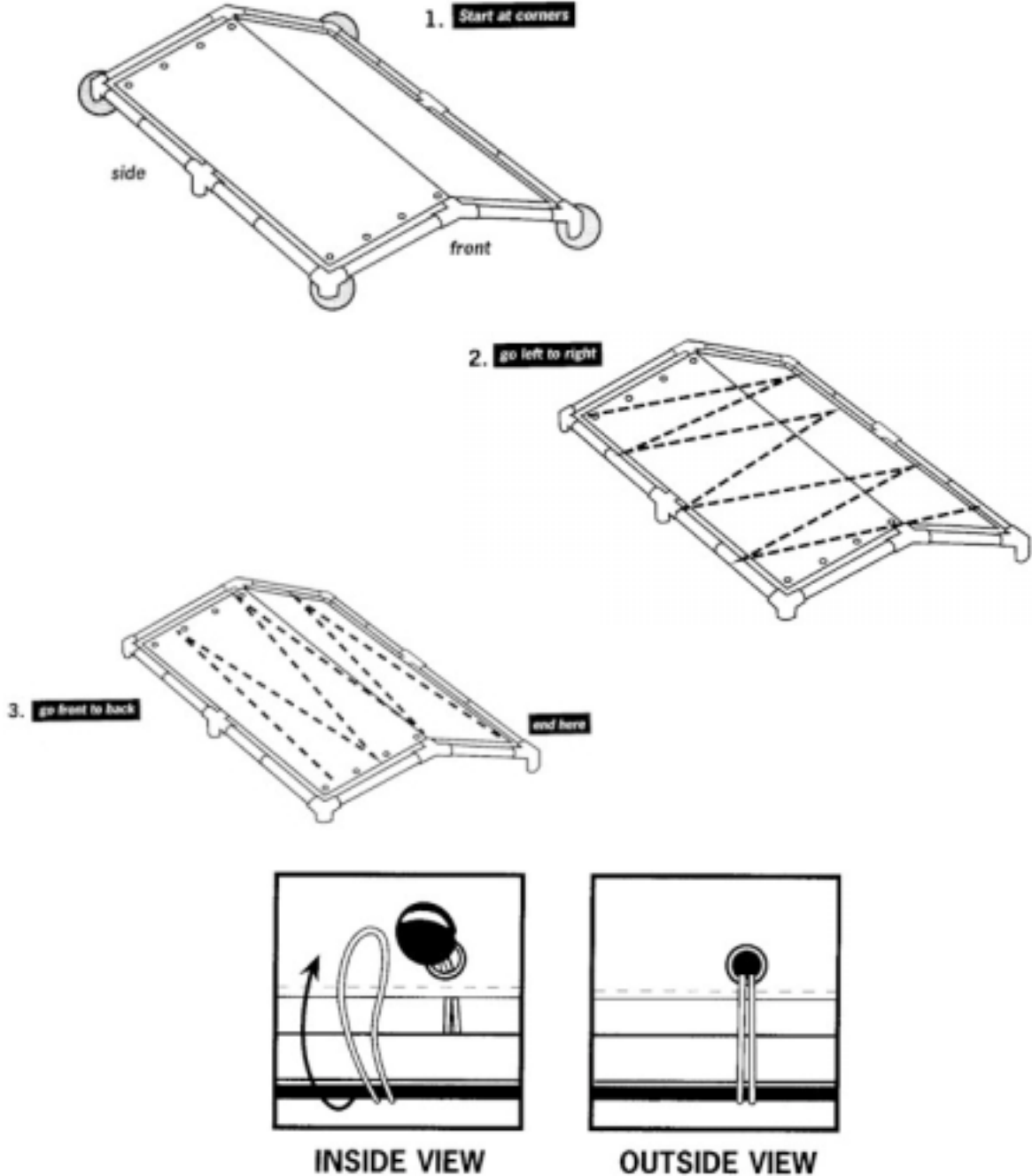
1. PLACE ALL CORNERS AND PIPE ON THE GROUND. THERE ARE 9 PIECES THAT 6'6" PIPE; USE THESE TO FORM THE LENGTH OF THE CANOPY.



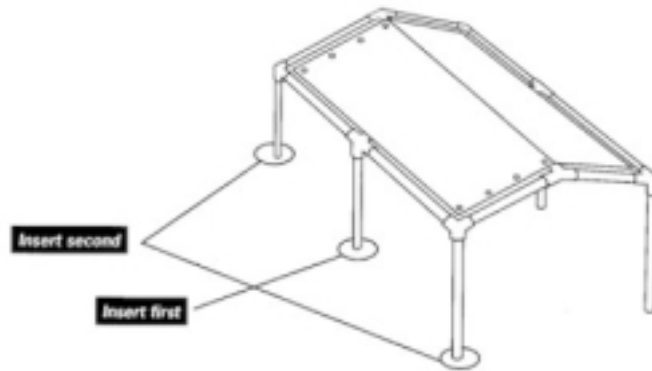
2. START FROM THE CENTER AND COMPLETE THE CENTER FRAME. THEN ASSEMBLE EACH SIDE.



3. PLACE TARP OVER FRAME. TIE BUNGEEES AS SHOWN IN DIAGRAM. WHEN TYING BUNGEEES, ALTERNATE FROM ONE SIDE TO THE OTHER FOR EASIER INSTALLATION.



4. LIFT ONE SIDE OF CANOPY TOP AND INSERT LEGS. PROCEED TO OTHER SIDE AND INSERT LEGS.



**NOTE: FOR MORE PERMANENT INSTALLATION ANCHOR FRAMEWORK TO GROUND USING TIE DOWNS OR THE PROPER ANCHOR KIT FOR YOUR NEEDS.**

POWELL & POWELL SUPPLY CO., INC  
1206 BROAD STREET  
FUQUAY-VARINA, NC 27526  
(919) 552-9708  
FAX (919) 552-8884  
TOLL FREE 1-800-800-6296