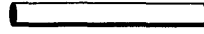
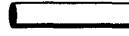


PARTS

78" Galvanized Pipe
Quantity 17



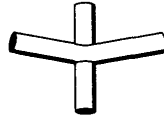
68" Galvanized Pipe
Quantity 8



3 Way Corners
Quantity 6



4 Way Corners
Quantity 6



Elastic Ball Straps
Quantity 75



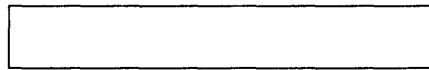
Curtain Clips
Quantity 4



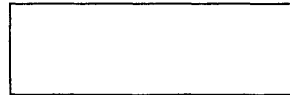
Metal Foot Pads
Quantity 8



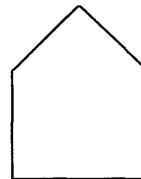
**White Drawstring Cover
with a 1 year warranty**
Quantity 1



Sidewalls
Quantity 2



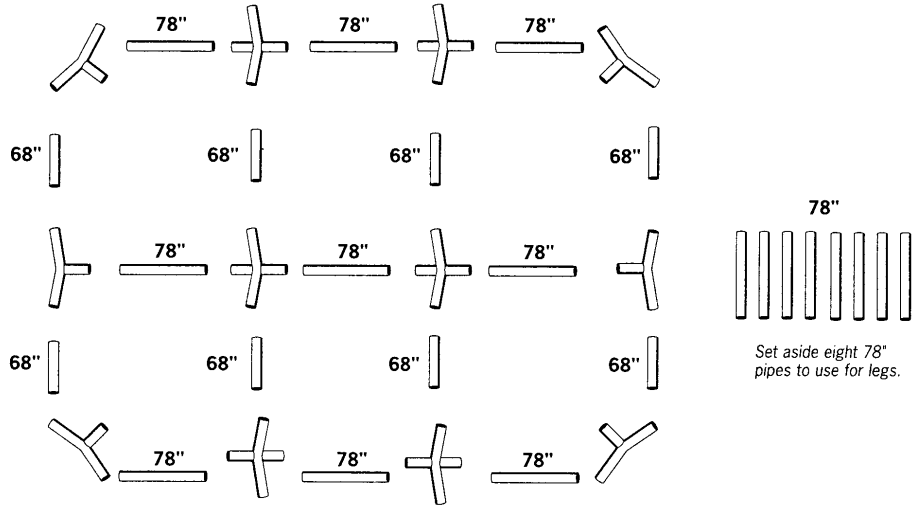
Endwalls
Quantity 2



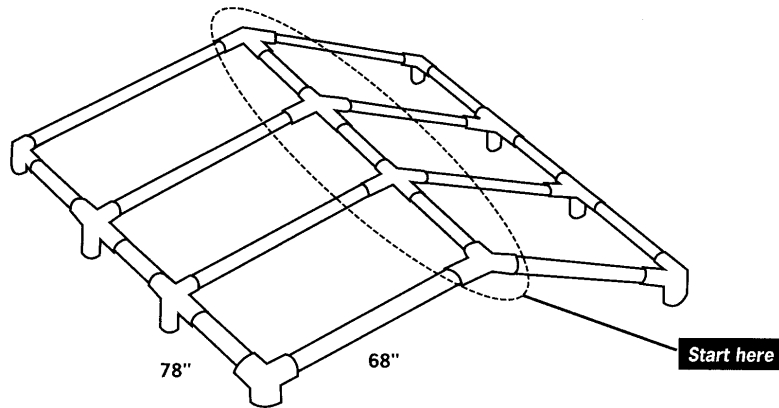
Front Panel has zipper
Rear Panel is solid

FRAME ASSEMBLY

- 1** Place all corners and pipes on the ground.
 There are 8 pieces of short pipe (68") used to form the roof rafters.
 The long pipes (78") are used for the legs and to form the length of the frame.



- 2** Connect pipes together starting with the center frame.
 Then assemble each side.

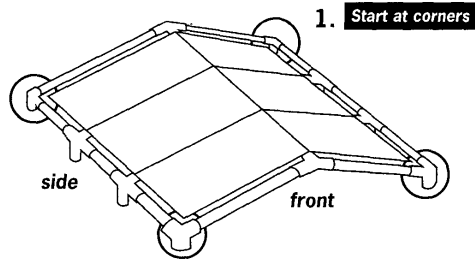


ATTACHING COVER WITH BALL STRAPS

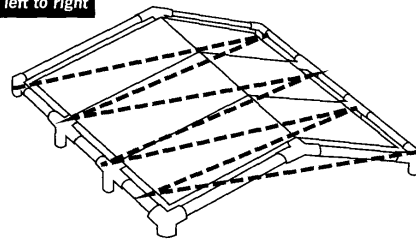
3

Unfold the cover putting the grommets on the bottom. This allows the flap to cover the outside edge of the frame. Once unfolded, place the cover over the frame. Begin attaching cover with elastic ball straps.

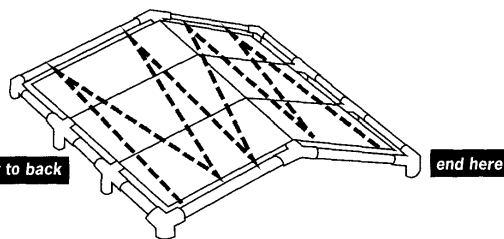
1. Start by attaching 2 straps at each of the four corners.
2. Continue attaching straps from left to right down the sides of the canopy.
3. Finally, attach straps from front to back until all straps are secure.
(Attach ball straps as shown below in step 4)



2. go left to right

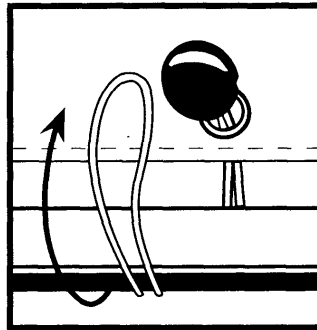


3. go front to back

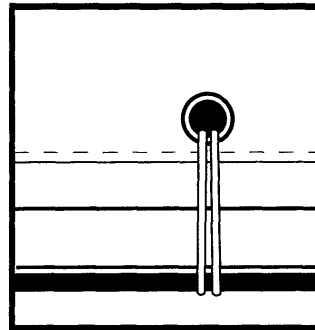


4

First insert the cord of the elastic ball strap underneath the cover and through the grommet. Then pull cord until ball stops. Wrap the cord around the pole and then around the ball. This will hide the ball under the cover and create a neater look. **(For best fit follow diagram in step 3)**



INSIDE VIEW



OUTSIDE VIEW

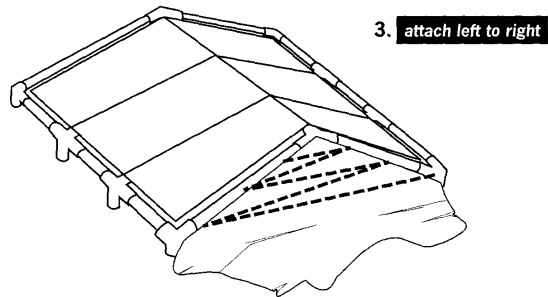
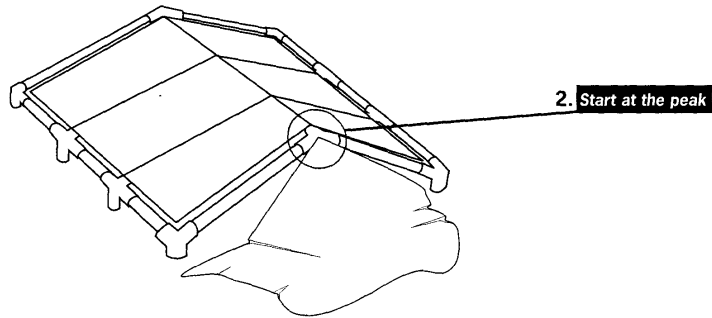
TO GET A TIGHTER FIT ON CANOPY COVER

- The ball straps are long enough to accommodate various cover lengths. If your straps are too long for a tight fit they can be shortened by making an additional knot in the strap cord.
 1. Slide the ball upwards to reveal the tied knot.
 2. Tie a new knot above the old one. The length taken up here determines how short the strap becomes.
 3. Slip the ball down over the new knot.
 4. Cut off the excess cord.

INSTALLING ENDWALLS

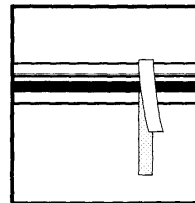
5

1. Unfold each of the endwalls. The front wall has zippers, the backwall is solid.
2. Attach the top part of each endwall to the roof before installing the legs. ***This will prevent you from having to use a ladder to attach the endwalls!***
3. After the roof is secured, continue attaching straps from left to right down the front of the endwall.



NOTE

Some endwalls may have velcro instead of snaps; please attach them the same way.

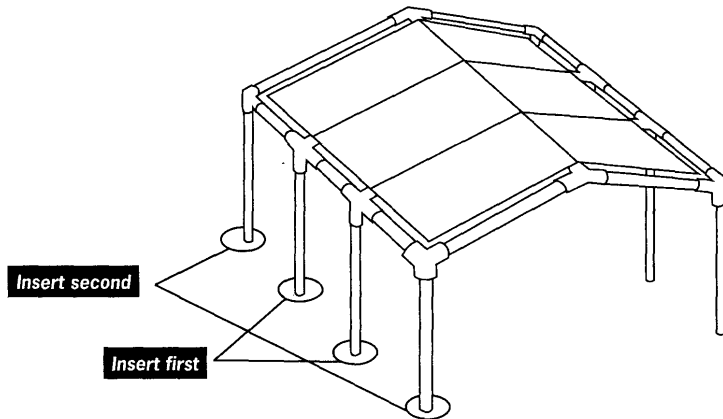


INSIDE VIEW OF
VELCRO FASTENERS

PUTTING LEGS ON CANOPY FRAME

6

First insert both middle legs on one side, then insert the end legs. Repeat on the other side. Once the legs are inserted, your canopy is a kite waiting to take off until you install the canopy anchors! **See the following page for canopy anchor installation.**



INSTALLATION OF CURTAIN CLIPS

7

Curtain Clips are designed to hold the flaps of the cover down in light windy conditions.

1. Slip one clip onto each of the corner legs.
2. To secure the clips on the corner legs use the drawstring sewn into each end of the cover. Adjust the drawstring evenly on each side of the canopy by pulling the drawstrings on each end of the cover at the same time. Insert the ball on the drawstring into the slot of the curtain clip. Pull the clip down until tight. Pressure from the drawstring will cause the clip to wedge onto the pipe.
3. **Curtain clips may have to be re-tightened occasionally due to strong wind gusts.**

